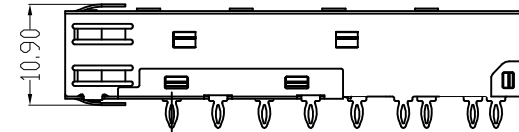
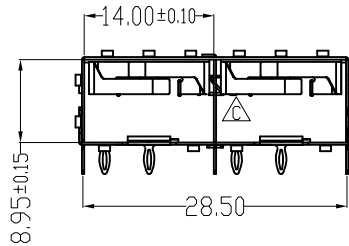
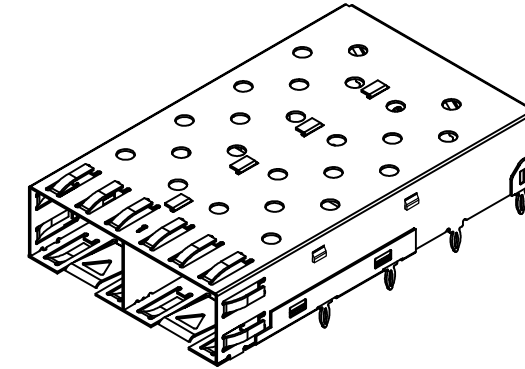
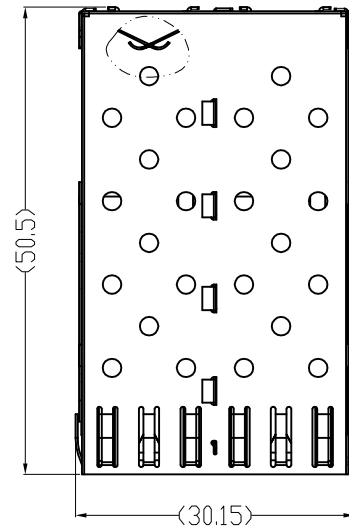


Customer drawings

REV.	CHANGE CONTENT	DATE
A	FIRST ISSUE	20130918
B	Dwg drawing	20131011
C	Updated drawings	20140411



NOTE:

1, DESCRIPTION	Q'ty	MATERIAL	PLATING
SFP TOP CAGE	1PCS	COPPER ALLOY T=0.25	SEE TABLE
SFP BOTTOM CAGE	1PCS	COPPER ALLOY T=0.25	SEE TABLE
SFP MID CAGE	1PCS	COPPER ALLOY T=0.25	SEE TABLE

2, TEMPERATURE:
 OPERATION: -40°C~+85°C
 STORAGE: -55°C~+105°C

PART NUMBER	DESCRIPTION
K869-00-Y179	SFP 1X2 CAGE (Press-fit) NICKLE PLATING(30u"Min) W/O LOGO
K869-00-Y120	SFP 1X2 CAGE (Press-fit) NICKLE PLATING(30u"Min) W/ LOGO
K869-00-Y178	SFP 1X2 CAGE (Press-fit) W/ LOGO
K869-00-Y158	SFP 1X2 CAGE (Press-fit) W/O LOGO

RoHS Compliant

<p>THIRD ANGLE PROJECTION</p>	<p>SIZE</p>	<p>SCALE</p> <p>1:1</p>	<p>UNIT</p> <p>mm</p>	<p>CUSTOMER: N/A</p> <p>MODEL NO: N/A</p>	<p>TOLERANCES</p> <p>.0 ± 0.20</p> <p>.00 ± 0.15</p> <p>.000 ± 0.10</p> <p>ANGLES ± 0.5</p>	<p>Material: SEE NOTE</p>	<p>Designed: Li bin</p>	<p>NAME: SFP 1X2 CAGE PRESS FIT</p>	
						<p>Finish: SEE NOTE</p>	<p>Checked: Nancy Hu</p>	<p>DWG NO: ESFP12112601-C</p>	<p>REV.</p>
						<p>SHEET 1 OF 2</p>	<p>Approved: Sherman.cai</p>	<p>PART NO: SEE TABLE</p>	<p>C</p>