

# CZT

## SPECIFICATION FOR APPROVAL

CUSTOMER \_\_\_\_\_

CUSTOMER'S PART NO. \_\_\_\_\_ REV. \_\_\_\_\_

DESCRIPTION RJ45 ICM(10/100 Base-T 1\*2 Ports)

CZT'S PART NO. JDFD2017J101 REV. A

CZT OLD P/N \_\_\_\_\_

ISSUE NO. 15B-062

ISSUE DATE MAR.16,2015

<input type="checkbox"/> APPROVED	<input type="checkbox"/> REJECTED:
<input type="checkbox"/> APPROVED UNDER THE CONDITIONS:	

**SuZhou Yihua Communicated Connector Co., Ltd.**

**Add: No.1558, Linhu East Road, Foho New&Hi-tech industrial Development Zone ,  
Wujiang, Jiangsu, P.R.C.**

**TEL:+86-512-82078810**

**FAX:+86-512-82078858**

**DongGuan Yihua Electronic Co. , Ltd.**

**Add: Yihua Holdings Industrial park , Cuntou district, Hu'men Town,**

**TEL:+86- 769-8624 0111**

**FAX:+86-769-8624 0238**

Note:

1. This specification is the proprietary of Yihua Communicated Connector Co., Ltd. and is not allowed to be revealed to third party without any written approval .
2. This specification is valid within 1 year before approval, and for any updated specification information required, please contact with CZT's sales window before order releases.



# CZT

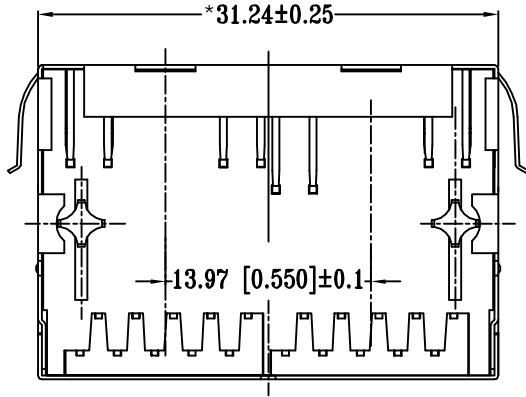
## SPECIFICATION FOR APPROVAL

Customer Part No.:  
 CZT Part No.: JDFD2017J101  
 Part Name: RJ45 ICM(10/100 Base-T 1\*2 Ports)

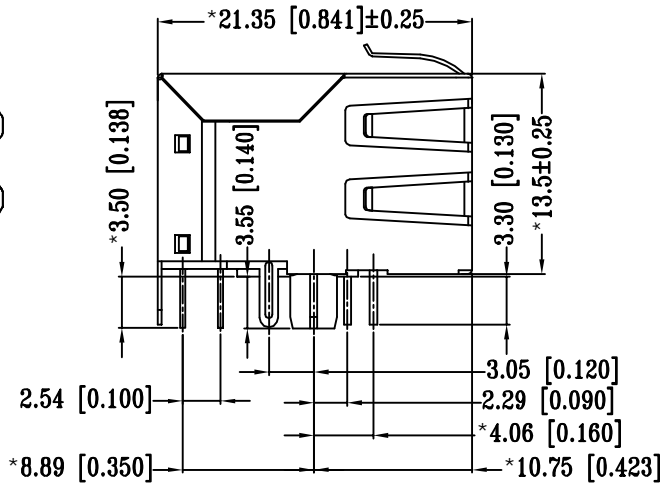
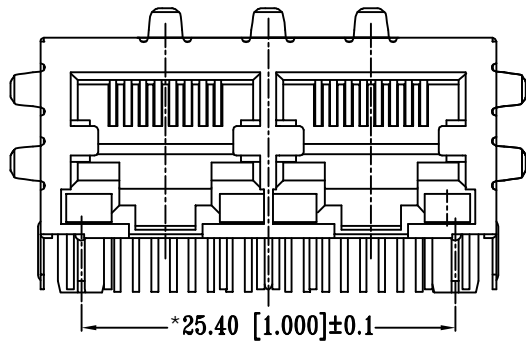
Rev.: A



4. Mechanical Dimension and Notes:  
 4-1. Mechanical Dimension:



Unless otherwise specified, all dimensions tolerances is  $\pm 0.254 / 0.010$ .



4-2. Notes:

1. CONNECTOR MATERIAL:  
 HOUSING: PA46 BLACK UL94 V-0  
 INSERT: PA46 BLACK UL94 V-0  
 SHIELD: Brass  
 SHIELD PLATING: NICKEL  
 CONTACT: COOPER ALLOY  
 CONTACT PLATING: SELECTIVE GOLD, 6 MICRO-INCHS MIN IN CONTACT AREA
2. PIN NOT ELECTRICALLY CONNECTED MAYBE OMITTED SEE ELECTRICAL DRAWING FOR OMITTED PINS
3. RJ45 CAVITIES CONFORM TO FCC RULES AND REGULATION PART 68.
4. THE PART IS RECOMMENDED FOR WAVE SOLDERING PROCESS PEAK SOLDERING TEMPERATURE IS 260° C MAX, 10 SECS MAX
5. OPERATING TEMPERATURE T=0° C TO +70° C
6. STORAGE TEMPERATURE T=-40° C TO +85° C
7. ALL CRITICAL DIMENSIONS WITH " \* "

LED SPECIFICATION			
STANDARD LED	WAVELENGTH	Forward V(max)	TYP
GREEN	565nm	2.4V	2.2V
YELLOW	590nm	2.5V	2.1V

\*WITH A FORWARD CURRENT OF 20mA

Drawn by

Designed by

Approved by

# CZT

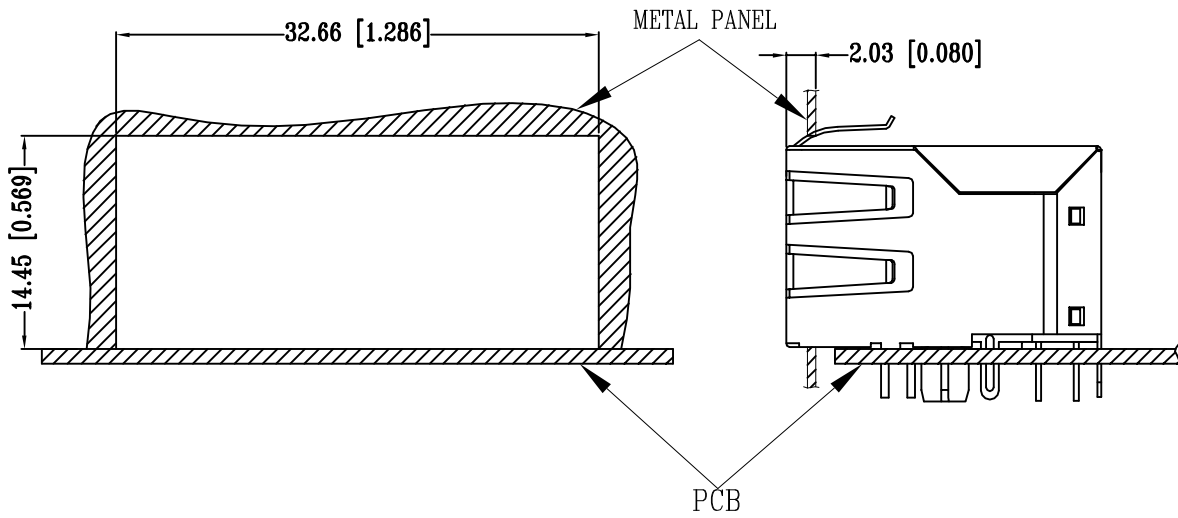
## SPECIFICATION FOR APPROVAL

Customer Part No.:  
CZT Part No.: JDFD2017J101  
Part Name: RJ45 ICM(10/100 Base-T 1\*2 Ports)

Rev.: A



5. Label and Recommended PWB Layout and Suggested Panel Opening:  
5-1. Suggested Panel Opening:



UNIT: mm / inch  
Tolerances:  $\pm 0.10$  / 0.004

REFERENCE ONLY

# CZT

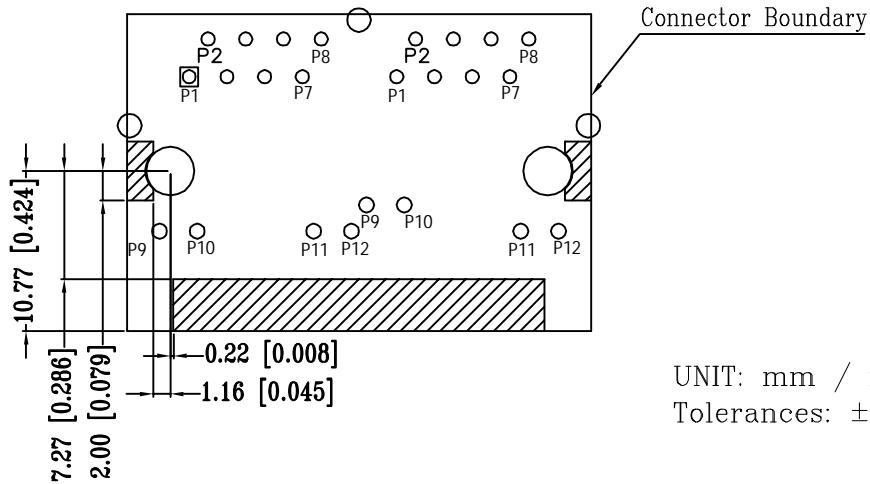
## SPECIFICATION FOR APPROVAL

Customer Part No.:  
 CZT Part No.: JDFD2017J101  
 Part Name: RJ45 ICM(10/100 Base-T 1\*2 Ports)

Rev.: A

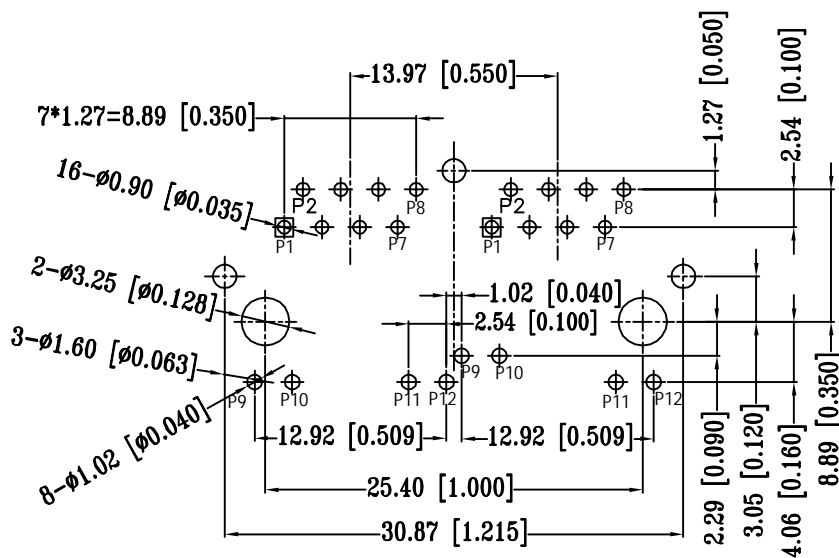


### 5-2. Keep-Out Area (Component Side View):



UNIT: mm / inch  
 Tolerances:  $\pm 0.10$  / 0.004

### 5-3. Recommended PWB Layout (Component Side View):



UNIT: mm / inch  
 Tolerances:  $\pm 0.10$  / 0.004

# CZT

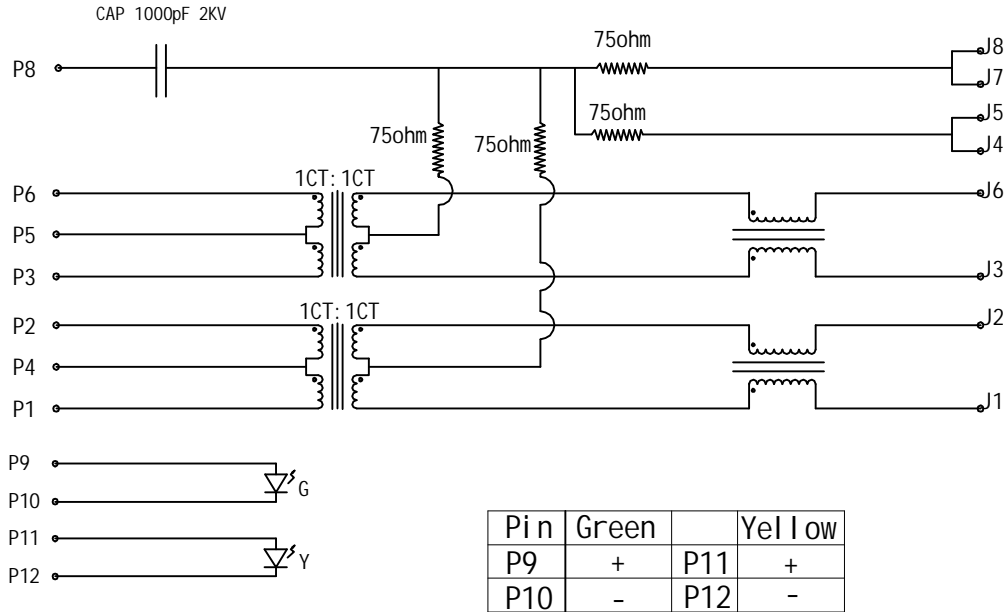
## SPECIFICATION FOR APPROVAL

Customer Part No.:  
 CZT Part No.: JDFD2017J101  
 Part Name: RJ45 ICM(10/100 Base-T 1\*2 Ports)

Rev.: A



### 6. Circuit Schematic and Electrical Specifications: 6-1. Circuit Schematic:



### 6-2. Electrical Specifications:

- 1.0 Turn Ratio @100KHz: (P1~P2):(J1~J2) = 1:1±5%  
 (P3~P6):(J3~J6) = 1:1±5%
- 2.0 Primary Inductance: 350uH MIN @100KHZ,0.1V 8mA DC BIAS
- 3.0 DC Resistance:(J1~J2):(J3~J6) 1.2 OHMS MAX
- 4.0 Insertion Loss: 1-100MHz -1.2dB MAX
- 5.0 Return Loss: 1-30MHz -16dB MIN  
 30-60MHz -12dB MIN  
 60-80MHz -10dB MIN
- 6.0 CROSS TALK: 1-100MHz -30dB MIN
- 7.0 COMMON TO COMMON MODE ATTENUATION: 1-100MHz -30dB MIN
- 8.0 Isolation: PHY Side to Line Side: 1500VAC or 2250VDC