

CZT

SPECIFICATION FOR APPROVAL

CUSTOMER _____

CUSTOMER'S PART NO. _____ REV. _____

DESCRIPTION RJ45 ICM (10/100 Base-T 1 Port)

CZT'S PART NO. JVF110690000 REV. A

CZT OLD P/N _____

ISSUE NO. 12B-154

ISSUE DATE Jul.19,2012

<input type="checkbox"/> APPROVED	<input type="checkbox"/> REJECTED:
<input type="checkbox"/> APPROVED UNDER THE CONDITIONS:	

SuZhou Yihua Communicated Connector Co., Ltd.

Add: LinHu Road, Foho Economic Development Zone, Wujiang, Jiangsu, P.R.C.

TEL:+86-512-82078810

FAX:+86-512-82078858

DongGuan YiZhao Electronic Co., Ltd.

Add: Henggangtou Industry part, Chang'an Town, Dongguan, Guangdong, P.R.C.

TEL:+86-769-89168211

FAX:+86-769-85530890

E-mail:liyi@czt.com.cn

Note:

1. This specification is the proprietary of Yihua Communicated Connector Co., Ltd. and is not allowed to be revealed to third party without any written approval.
2. This specification is valid within 1 year before approval, and for any updated specification information required, please contact with CZT's sales window before order releases.

CZT

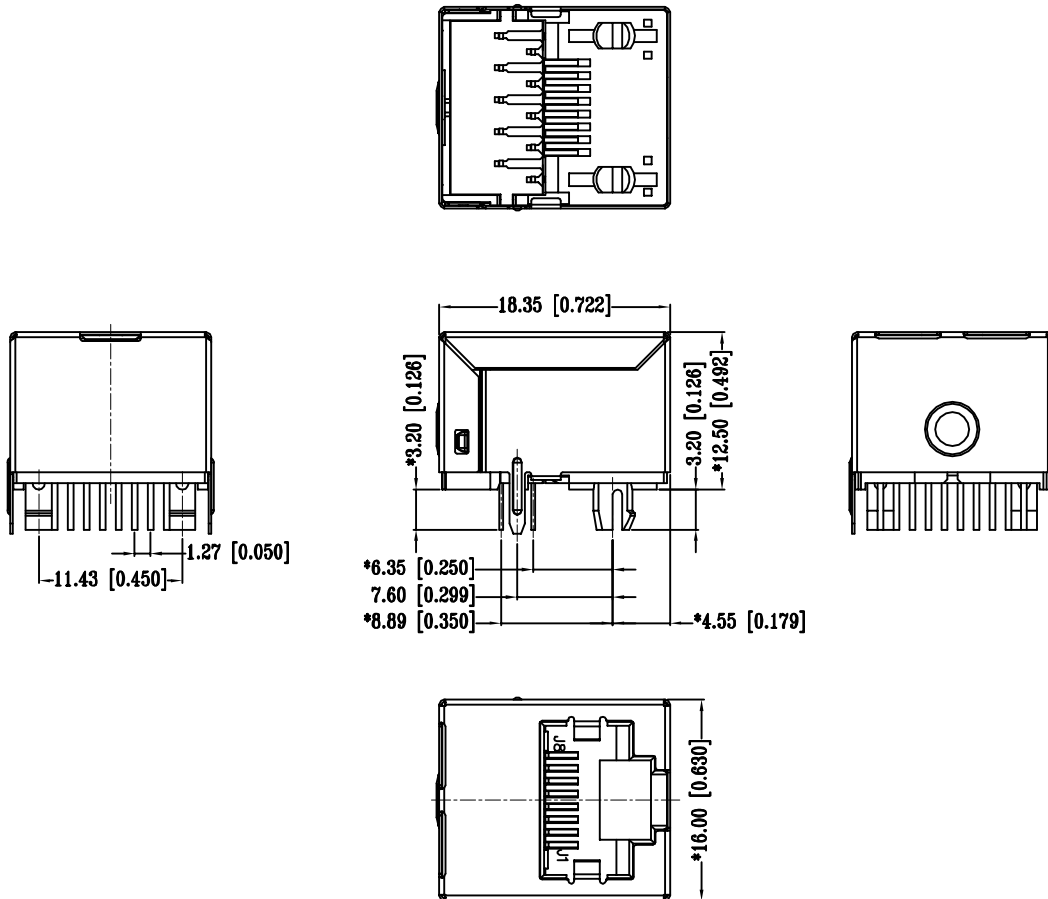
SPECIFICATION FOR APPROVAL

Customer Part No.:
 CZT Part No.: JVF110690000
 Part Name: RJ45 ICM (10/100 Base-T 1 Port)

Rev.: A



4. Mechanical Dimension and Notes:
 4-1. Mechanical Dimension:



4-2. Notes:

1. CONNECTOR MATERIAL:
 HOUSING: THERMOPLASTIC UL94 V-0
 SHIELD: Brass
 SHIELD PLATING: NICKEL
 CONTACT: COOPER ALLOY
 CONTACT PLATING: SELECTIVE GOLD, 6 MICRO-INCHS MIN IN CONTACT AREA
2. PIN NOT ELECTRICALLY CONNECTED MAYBE OMITTED SEE ELECTRICAL DRAWING FOR OMITTED PINS
3. RJ45 CAVITIES CONFORM TO FCC RULES AND REGULATION PART 68.
4. THE PART IS RECOMMENDED FOR WAVE SOLDERING PROCESS PEAK SOLDERING TEMPERATURE IS 260° C MAX, 10 SECS MAX
5. OPERATING TEMPERATURE T=0° C TO +70° C.
6. STORAGE TEMPERATURE T=-40° C TO +85° C.
7. ALL CRITICAL DIMENSIONS WITH "*"

Unless otherwise specified, all dimensions tolerances is $\pm 0.254 / 0.010$.

Drawn by

Designed by

Approved by

CZT

SPECIFICATION FOR APPROVAL

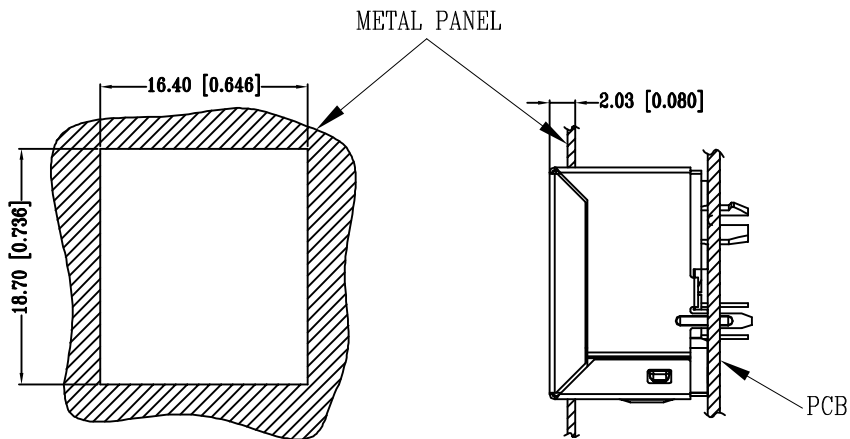
Customer Part No.:
CZT Part No.: JVF110690000
Part Name: RJ45 ICM (10/100 Base-T 1 Port)

Rev.: A



5. Label and Recommended PWB Layout and Suggested Panel Opening:

5-1. Suggested Panel Opening:



UNIT: mm / inch
Tolerances: ± 0.10 / 0.004

REFERENCE ONLY

CZT

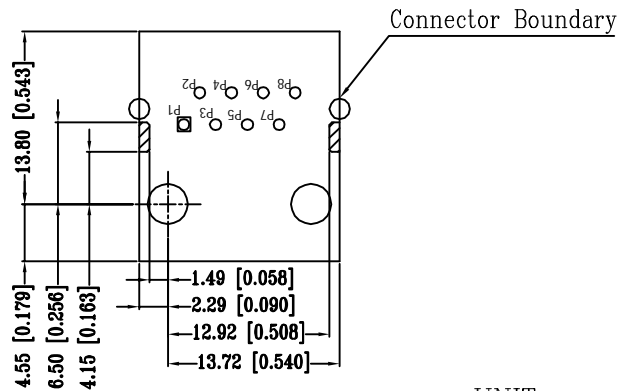
SPECIFICATION FOR APPROVAL

Customer Part No.:
 CZT Part No.: JVF110690000
 Part Name: RJ45 ICM (10/100 Base-T 1 Port)

Rev.: A

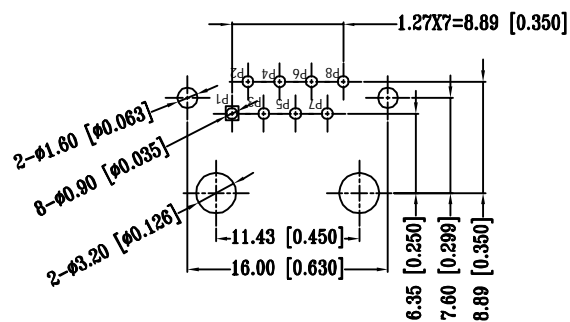


5-2. Keep-Out Area (Component Side View):



UNIT: mm / inch
 Tolerances: ± 0.10 / 0.004

5-3. Recommended PWB Layout (Component Side View):



UNIT: mm / inch
 Tolerances: ± 0.10 / 0.004

CZT

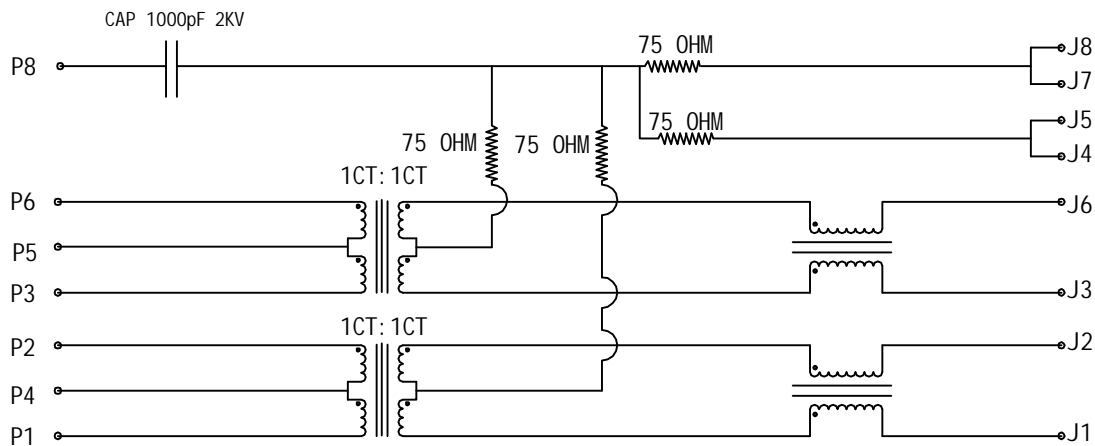
SPECIFICATION FOR APPROVAL

Customer Part No.:
 CZT Part No.: JVF110690000
 Part Name: RJ45 ICM (10/100 Base-T 1 Port)

Rev.: A



6. Circuit Schematic and Electrical Specifications: 6-1. Circuit Schematic:



6-2. Electrical Specifications:

- 1.0 Turn Ratio @100KHz: $(P1 \sim P2):(J1 \sim J2) = 1:1 \pm 5\%$
 $(P3 \sim P6):(J3 \sim J6) = 1:1 \pm 5\%$
- 2.0 Primary Inductance: 350uH MIN @100KHZ, 0.1V 8mA DC BIAS
- 3.0 DC Resistance: $(J1 \sim J2):(J3 \sim J6) \quad 1.2 \text{ OHMS MAX}$
- 4.0 Insertion Loss: $1-100\text{MHz} \quad -1.2\text{dB MAX}$
- 5.0 Return Loss: $1-30\text{MHz} \quad -16\text{dB MIN}$
 $30-60\text{MHz} \quad -12\text{dB MIN}$
 $60-80\text{MHz} \quad -10\text{dB MIN}$
- 6.0 CROSS TALK: $1-100\text{MHz} \quad -30\text{dB MIN}$
- 7.0 COMMON TO COMMON MODE ATTENUATION: $1-100\text{MHz} \quad -30\text{dB MIN}$
- 8.0 Isolation: PHY Side to Line Side: 1500VAC or 2250VDC